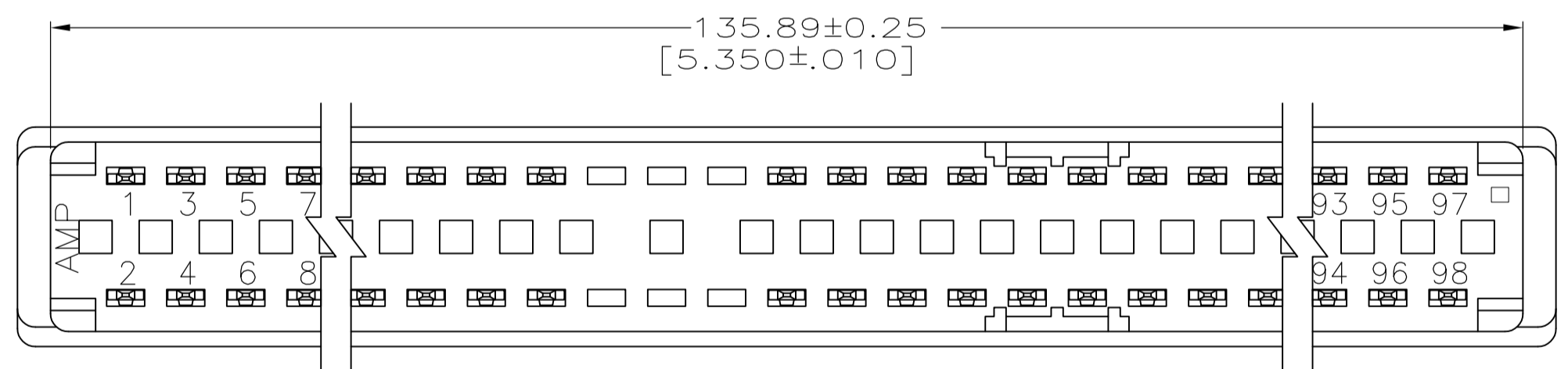
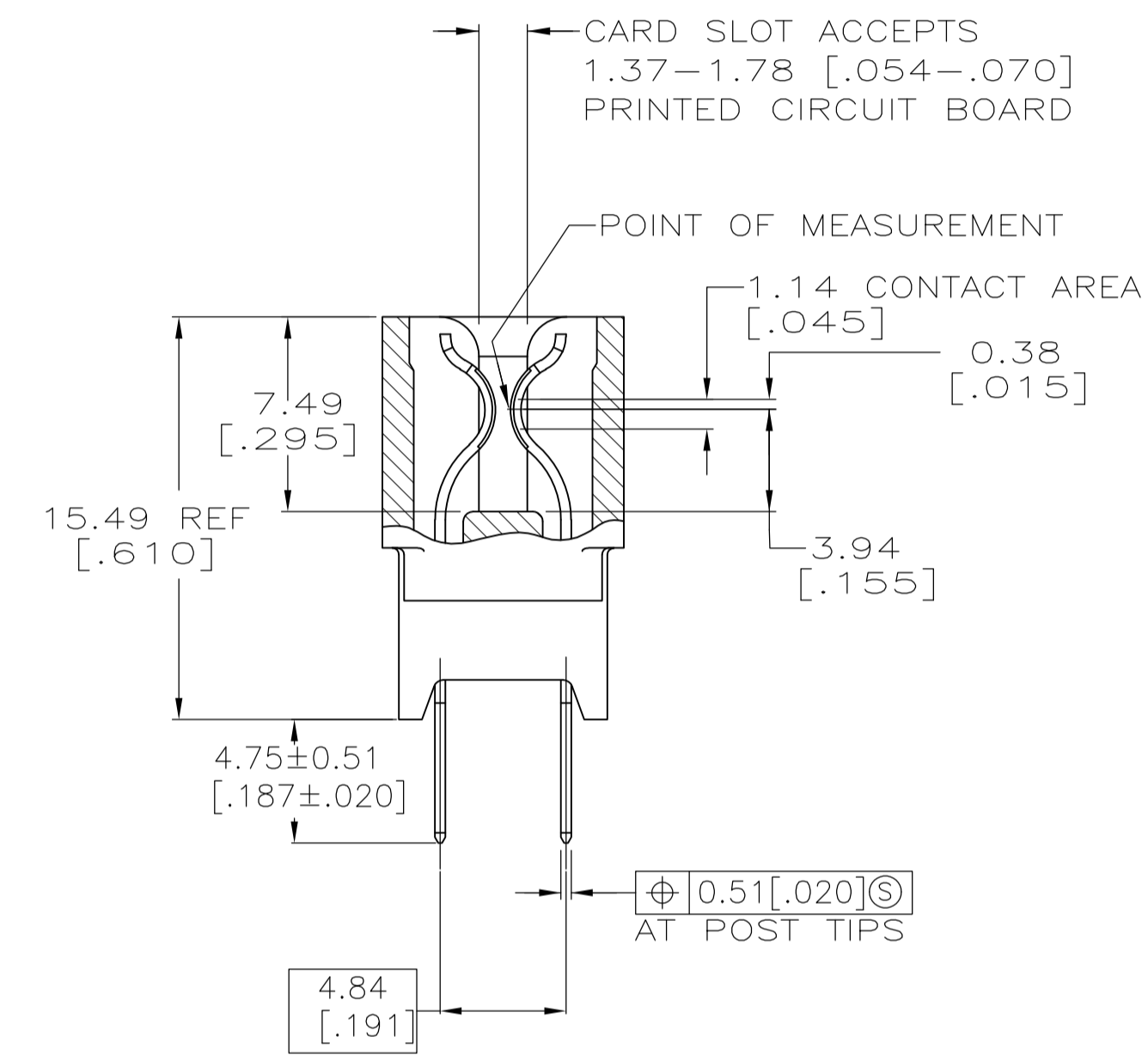
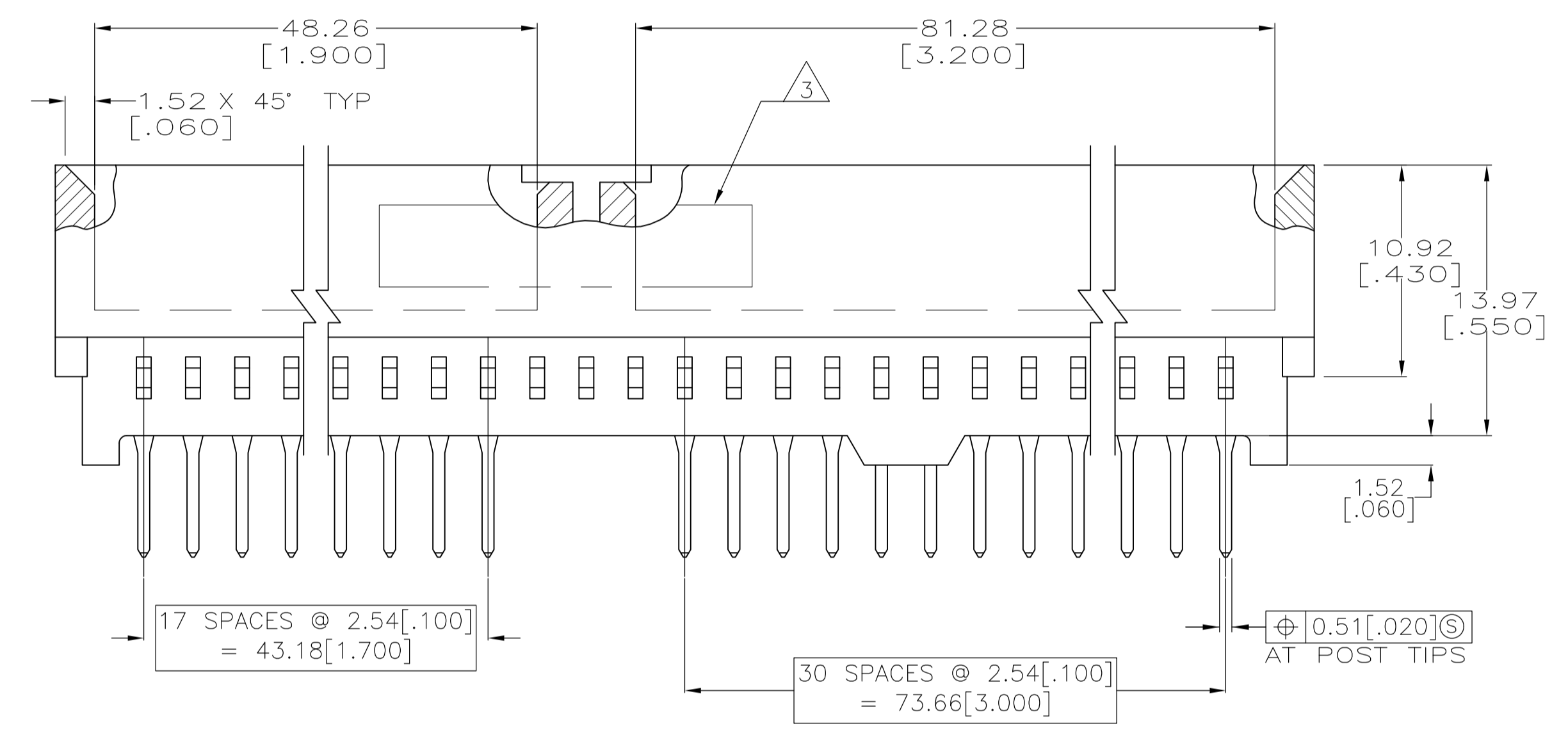


- MATERIAL:  
 HOUSING: GLASS FILLED POLYESTER; COLOR: BLACK.  
 CONTACT: PHOS BRONZE
- FINISH:  
 0.00076[.000030] MIN GOLD PLATE IN CONTACT AREA,  
 0.00254[.000100] MIN TIN-LEAD ON SOLDER POSTS, ALL  
 OVER 0.00127[.000050] MIN NICKEL
- AMP LOGO, TE PART NUMBER, DATE CODE AND CSA LOGO INK  
 STAMPED WHITE (HOT STAMPED OR LAZER PRINTED) IN THE APPROXIMATE  
 AREA SHOWN, EITHER SIDE PERMISSABLE, WHEN HOUSING SIZE PERMITS
- RECOMMENDED PCB FINISHED HOLE DIAMETER = 1.08±0.08[.040±.003]



**OBsolete** 650616-2  
 PART NUMBER

49 650616-1  
 NO OF POSN PART NUMBER

THIS DRAWING IS A CONTROLLED DOCUMENT.		DIN L.A.MAYER 03MAR2008	Tyco Electronics Corporation Harrisburg, PA 17105-3608	
DIMENSIONS: mm [INCHES]		CHK A.W.FRANTUM 03MAR2008	NAME S.FLICKINGER	
TOLERANCES UNLESS OTHERWISE SPECIFIED:		APVD S.FLICKINGER 03MAR2008	PRODUCT SPEC 108-9039	
0 PLC ± -		APPLICATION SPEC 114-13018		
1 PLC ± -		SIZE A1		
2 PLC ± 0.13 [.005]		CAGE CODE 00779		
3 PLC ± -		DRAWING NO 650616		
4 PLC ± -		RESTRICTED TO -		
ANGLES ± °		CUSTOMER DRAWING		
MATERIAL SEE NOTE 1	FINISH SEE NOTE 2	WEIGHT -	SCALE 4:1	SHEET 1 OF 1